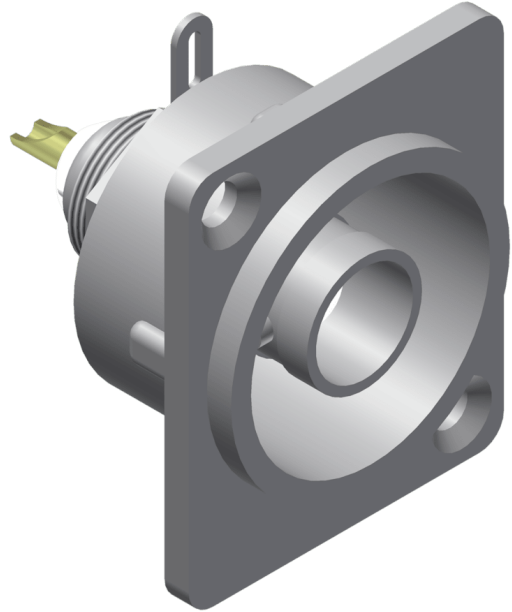


Product information:

D-Size BNC female grounded connector (BNC ground, outer ring, is connected with D-size housing)



Product Features:

Application	AV & IT
	Rental & MI
Series	Bulk & Accessories

Variants:

- VCD72 - Connector