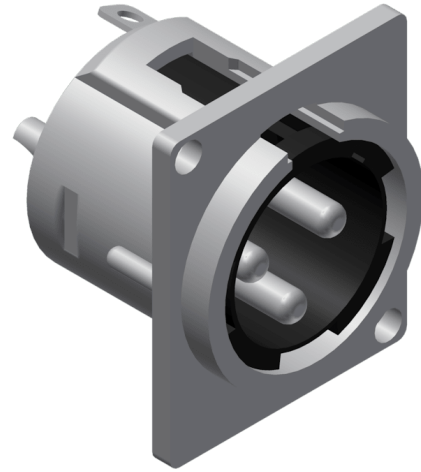


**Product information:**

---

Chassis shape: D-shape Chassis material: Metal (die-cast)



**Product Features:**

---

Application	AV & IT
	Rental & MI
Series	Bulk & Accessories

**Variants:**

---

- VC3MDL - Connector
- VC3MDL-P - Connector 50 pcs box